

WORM GEAR SCREW JACK
Standard Model - EJ Series

V-EXCEL

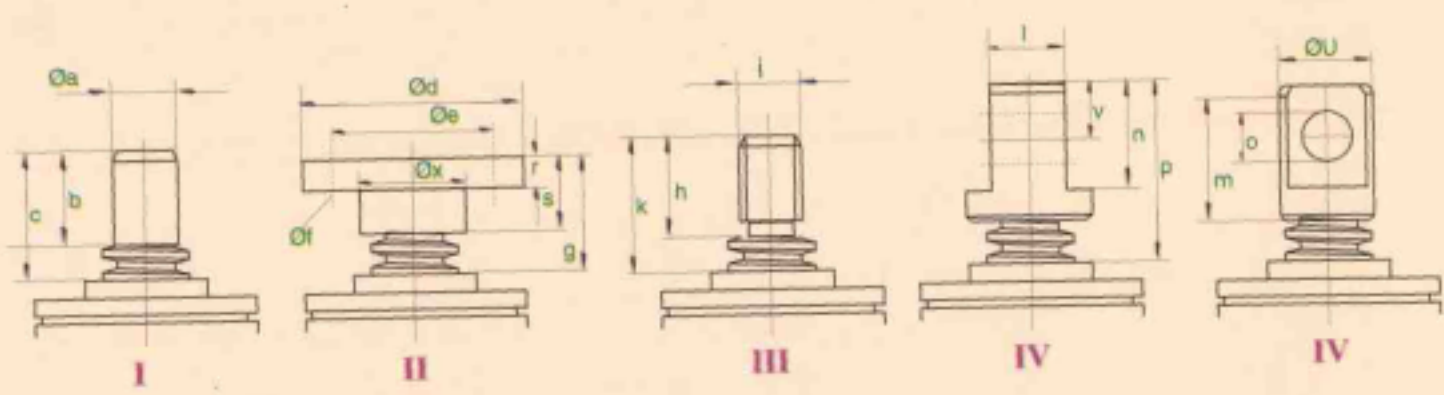
Machine Screw Actuators

MODEL	E-5	E-20	E-25	E-50	E-100	E-150	E-200	E-250	E-350	E-500	E-1000
LIFTING CAPACITY	0.5	2	2.5	5	10	15	20	25	35	50	100
NORMAL RATIO	10	6	6	6	7.66	7.66	8	10.66	10.66	10.66	12
LIFT PER REVOLUTION OF WORM IN MM	0.60	1.05	1.0	1.17	1.56	1.56	1.5	1.5	1.5	1.5	1.5
LOW RATIO	20	24	24	24	24	24	24	32	32	32	36
LIFT PER REVOLUTION OF WORM IN MM	0.30	0.28	0.25	0.29	0.50	0.50	0.50	0.50	0.50	0.50	0.56
SCREW THREAD SIZE	18 x 6	26 x 6	30 x 6	40 x 7	58 x 12	58 x 12	65 x 12	90 x 16	100 x 16	120 x 16	160 x 20
MAX. TORQUE AT DRIVING SHAFT KG.M	1.2	3.70	4.7	9.4	13.50	19.9	28.5	48.9	71.9	85.6	271
MAX. INPUT HP	0.16	0.60	0.75	1.50	2.50	3.50	5.00	6.50	8.00	10.0	16.8

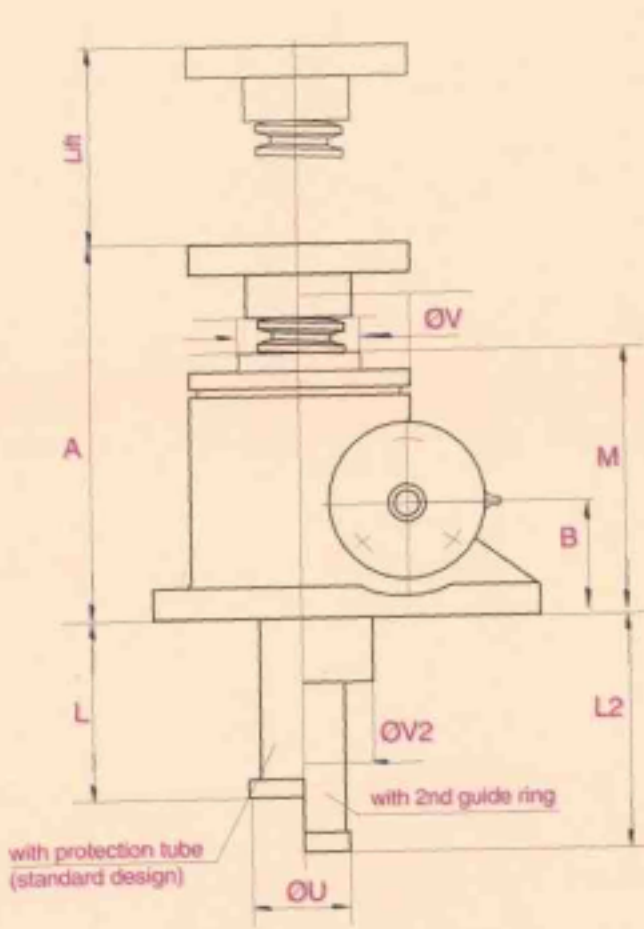
DIMENSIONS

L	Lift+25	Lift+25	Lift+25	Lift+25	Lift+25	Lift+25	Lift+25	Lift+25	Lift+25	Lift+25	Lift+70
L1	Lift+60	Lift+80	Lift+80	Lift+90	Lift+105	Lift+105	Lift+115	Lift+115	Lift+120	Lift+160	Lift+180
L2	Lift+35	Lift+45	Lift+45	Lift+45	Lift+45	Lift+45	Lift+60	Lift+70	Lift+65	Lift+160	Lift+180
L3	Lift+70	Lift+90	Lift+90	Lift+100	Lift+120	Lift+120	Lift+125	Lift+135	Lift+140	Lift+160	Lift+185
L4	Lift+166	Lift+205	Lift+214	Lift+270	Lift+335	Lift+335	Lift+404	Lift+476	Lift+535	Lift+669	Lift+858
L5	Lift+180	Lift+227	Lift+238.5	Lift+300	Lift+359	Lift+359	Lift+430	Lift+513	Lift+580	Lift+669	Lift+868
A	105.5	147.5	150.5	193	230	230	262	317	350	375	520
B	32	44	45	61.5	70	70	87	102	115	130	170
C	81.5	94	165	212	235	235	295	350	430	260	540
D	--	57	135	168	190	190	240	280	360	150	440
E	115	182	120	155	200	200	215	260	280	500	620
F	90	152	90	114	155	155	180	190	210	400	520
Dia H	9	11	14	18	22	22	28	35	35	48	52
SK6	10	14	16	20	25	25	28	34	38	40	60m6
C1	27	45.2	45.2	56.2	66.8	66.8	72.5	97	120	137	196
C2	--	28.5	50	58	63.5	63.5	95	95	135	75	160
N	32.5	47	65	80	86	86	122.5	130	170	130	210
L6	22	34	34	42	52	52	52	60	80	100	110
L7	120	180	190	228	280	280	322	355	430	560	670
L8	Lift+72	Lift+80	Lift+85	Lift+100	Lift+125	Lift+125	Lift+150	Lift+170	Lift+205	Lift+255	Lift+300
M	75.5	101.5	105.5	142	156.5	156.5	182	225	250	275	370
K	3x3x20	5x5x28	5x5x32	6x6x32	8x7x45	8x7x 45	8x7x45	10x8x50	10x8x70	12x8x80	18x11x90
Dia U	28	47	47	63	78	78	86	118	138	141	198
Sq. U1	30	40	50	70	80	80	100	120	140	180	220
Dia V	38	48	48	65	80	80	100	130	150	170	240
Dia V1	45	60	68	83	110	110	140	160	180	210	280
Dia V2	45	60	60	75	95	95	100	130	150	159	220
Dia V3	62	65	70	110	130	130	160	180	200	240	300
Dia V4	0	0	0	0	0	0	0	0	150	180	--
Safety X	20	20	20	20	25	25	25	25	30	50	50
W	70	93	97	130	150	150	176	217	240	260	350
W1	74	95	100	131	160	160	194	226	250	289	383
W2	70	93	97	131	150	150	181	211	250	289	350
TRAVELLING NUT											
a	32	40	45	60	75	75	100	120	145	155	200
b	10	18	15	18	25	25	70	35	35	50	80
Dia c h9	40	50	50	70	90	90	90	130	150	160	200
Dia d	50	76	80	87	110	110	120	155	190	225	260

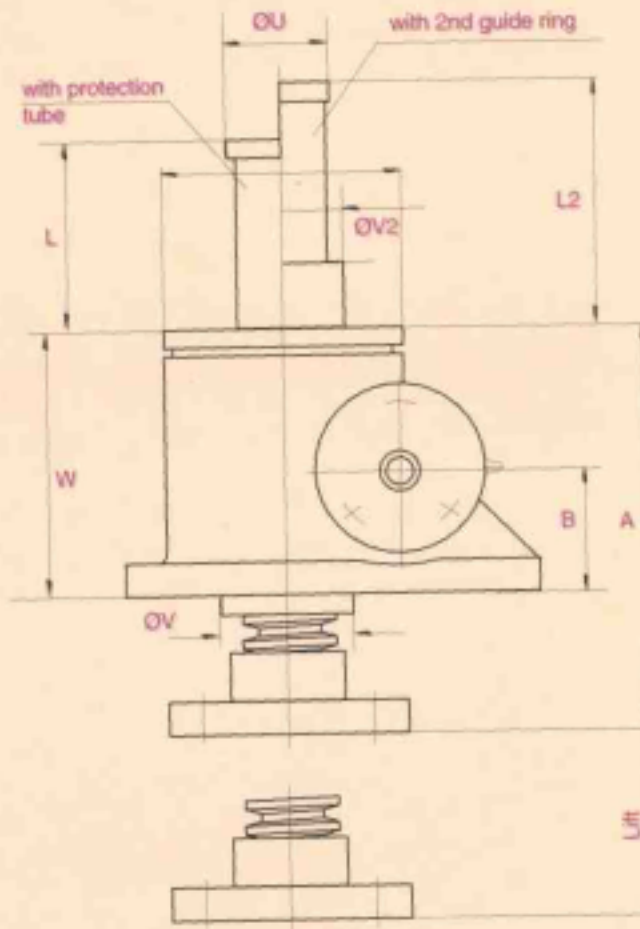
Note: Illustration and specification are not binding in detail and subject to modification and improvement without notice.



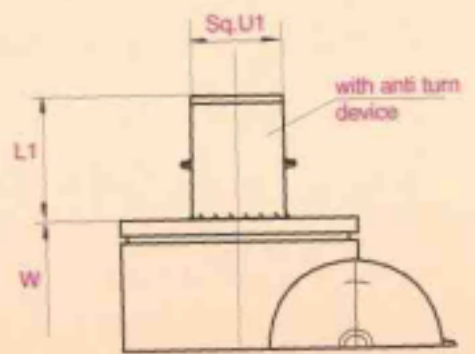
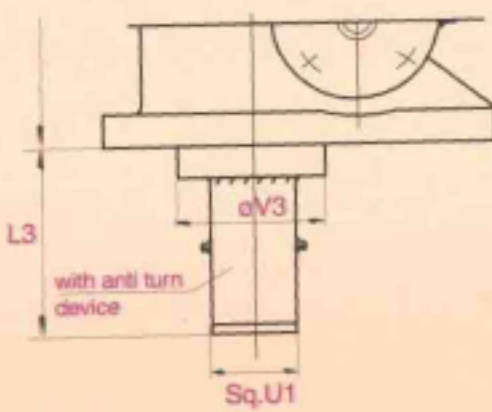
TYPE - 1



Design A



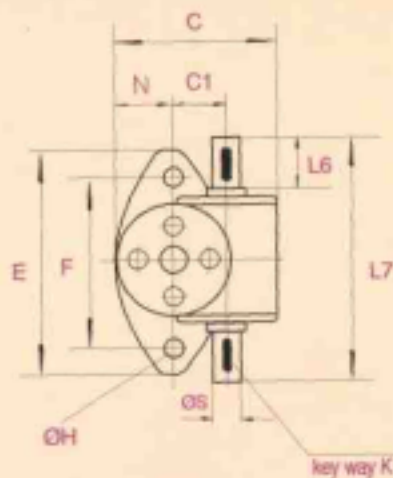
Design B



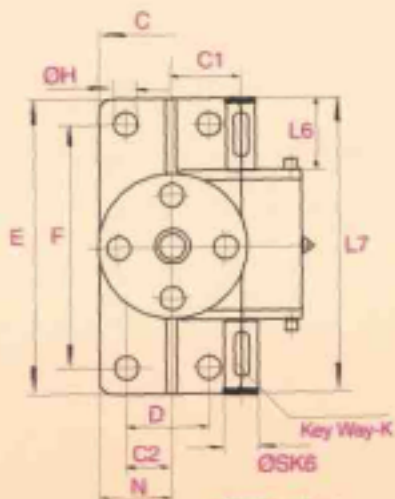
SIZE - E20 TO E350

MODEL		E-5	E-20	E-25	E-50	E-100/150	E-200	E-250	E-350	E-500	E-1000
Head I	a K6	18*	18	20	25	40	50	70	80	100	140
	b	20	30	30	40	50	60	83**	80	125	175
	c	30	46	45	51	73.5	80	92	100	150	200
Head II	Dia d	65	98	98	122	150	185	205	260	300	370
	Dia e	45	75	75	85	105	140	155	200	225	280
	Dia f	4xØ7	4xØ11	4xØ14	4xØ17	4xØ21	4xØ26	4xØ27	4xØ33	4xØ35	6xØ52
	r	8	12	12	18	20	20	25	30	30	75
	s	20	30	30	40	50	60	63	80	70	125
	ox	18	40	40	50	65	90	100	130	140	200
	g	30	46	45	51	73.5	80	92	100	100	150
Head III	h	20	30	30	30	50	60	63	80	125	175
	i	M18x1.5	M18x1.5	M22x1.5	M30x2	M40x3	M50x3	M70x3	M80x3	M100x5	M140x6
	k	30	46	45	51	73.5	80	92	100	150	200
Head IV	l-0.2	20	30	30	42	60	75	90	105	120	160
	m	50	70	70	105	130	150	175	220	300	360
	n	30	50	50	75	100	120	140	160	200	280
	dia OHB	15	20	25	35	50	60	70	80	100	145
	p	65	86	85	117	153.5	170	204	240	325	385
	Dia u	30	48	50	65	80	110	130	150	170	220
	v	15	25	25	37.5	50	60	70	80	100	140

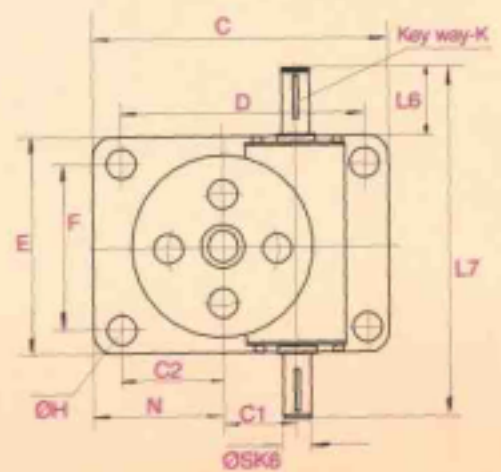
*With travelling nut dia 10K6. ** With travelling nut 80mm.



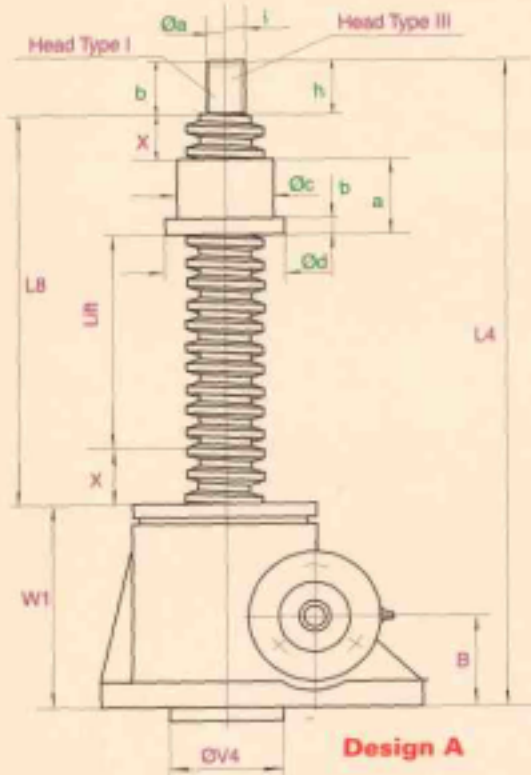
SIZE E5



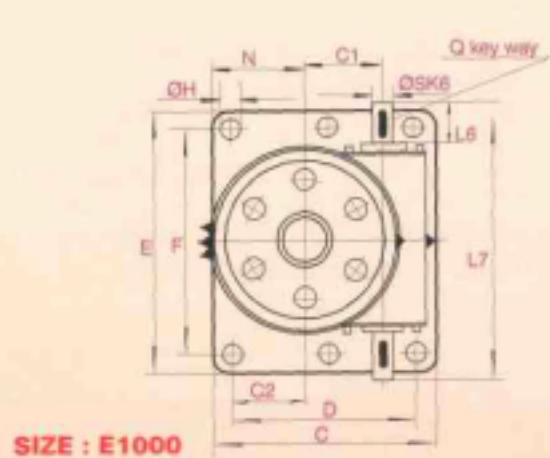
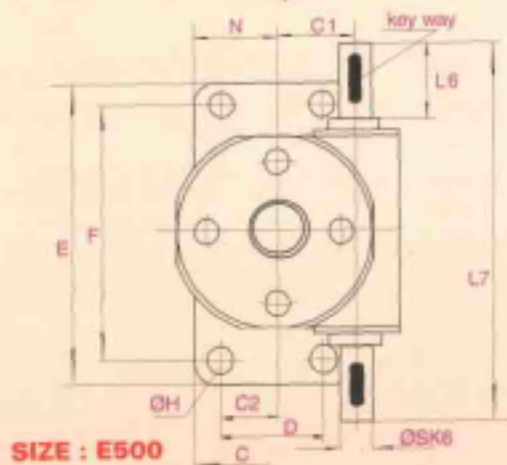
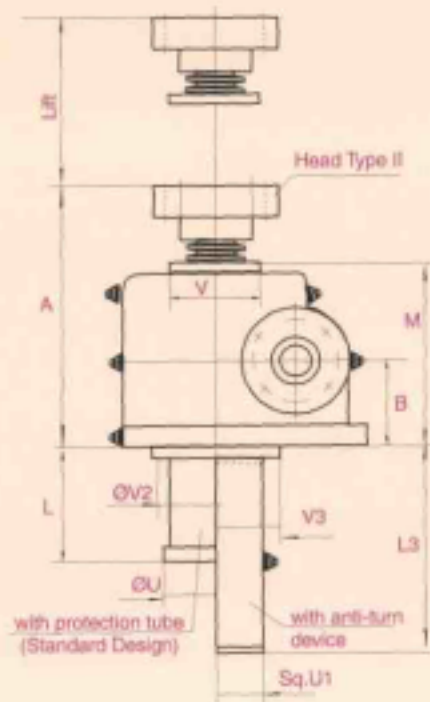
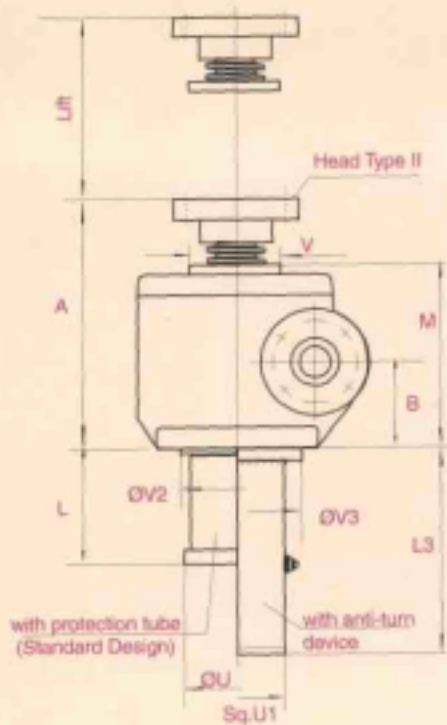
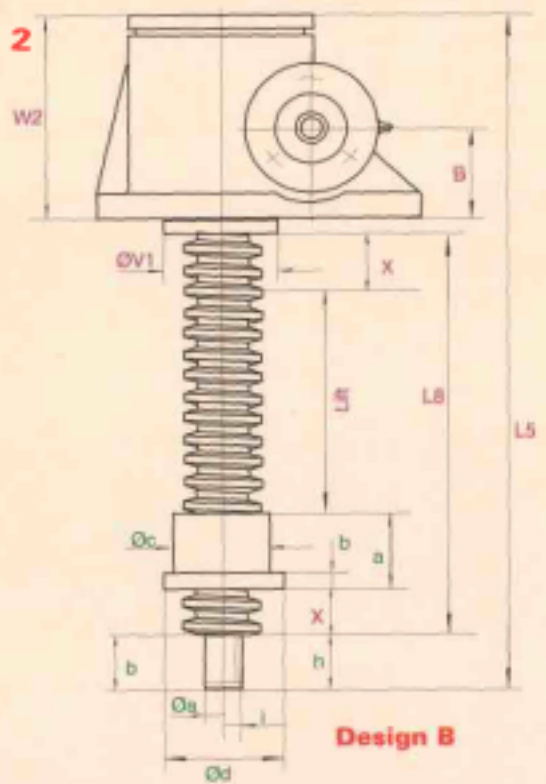
SIZE E20



SIZE : E25 TO E350



TYPE - 2



V-EXCEL ENGINEERS manufactures machine screw actuators (EXCELJAC) in wide range of lifting capacities from 0.5 TON to 100 TON

These EXCELJACS are manufactured under strict quality control using best material and manufacturing process to give trouble free long service life. Worm shaft is made out of case hardening steel, and is case hardened and profile ground. Housing is made out of Nodular iron or steel casting, depending upon lifting capacity. Nut worm wheel is made out of manganese bronze and teeth precision cut on hobbing machine.

The Exceljac are operated either manually or by geared motor. It can be used individually or in multiple arrangement coupled by flexible Shaft and Mitre gear boxes.

Most Exceljacs with higher ratios are self locking and can hold heavy loads without creep. However Exceljacs with lower ratios are not self locking and it requires brake or any other restraining device.

EXCELJAC is also provided with additional features such as:

Antirotaion of screw: Where screw is not positively fixed to item to be Lifted.

Antiback lash type: Where backlash arising out of wear & tear of nut can be adjusted periodically by tightening top cover.

EXCELJAC can be supplied in inch size on request. It can also be supplied with housing and screw made out of stainless steel material where atmosphere is corrosive.

ORDERING EXAMPLE

Model	- EJ 100 - Type 1, Design A
Head Type	- III
Ratio	- Normal
Lift	- 400 mm

**V
-
E
X
C
E
L****V-EXCEL ENGINEERS****Spares & Equipment P. Ltd.**

Plot No. A-42, Road No.10,

Wagle Indl. Estate, Thane-400 604,

Tel : (022) 25810267, Fax : (022) 25823279,

Email : vxlengl@vsnl.net.